

OX – THE PERFECT FUSION
of performance, reliability,
and cost efficiency

TRANSFORMING
MATERIALS INTO VALUE



BHS – THE GLOBAL BENCHMARK IN MIXING TECHNOLOGY

Result of consistent future-proof innovation.

1888 BHS revolutionized the making of concrete becoming the inventor of the twin-shaft batch mixer.

Often strived for but never matched. With the groundbreaking invention of the twin-shaft mixer in 1888, the engineers at BHS-Sonthofen revolutionized the production of concrete and even today continue to further develop the process setting the standard in the construction industry for products in mixer technology for 130 years.

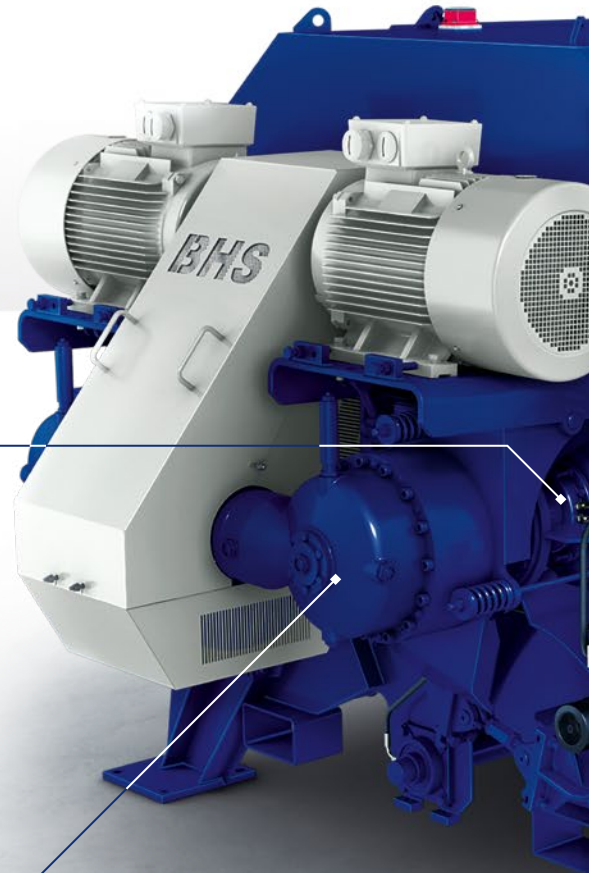
The company. BHS-Sonthofen is an internationally active, owner-operated group of companies specialized in machinery and plant engineering. The group is headquartered in Bavaria, Germany, and is one of the pioneers in German mechanical engineering. With the aim of providing our customers with products and services tailored to their markets and requirements, BHS-Sonthofen is represented on four continents with its own subsidiaries on an interdisciplinary basis.

2

1



BHS transmission safety technology



✓ Optimum mixing results



✓ Time-saving production



✓ High mixing efficiency



✓ Maximum reliability



✓ High energy efficiency

OX – BEST IN CLASS FOR READY-MIXED CONCRETE

Engineered out of the box to deliver the best performance.



Practice shows, unique features and technical details of the OX make quite the difference – in the mixing quality and predominantly in the ability to reliably withstand the demands of the production of ready-mixed concrete in 24/7 operation.

BHS OX – a class of its own. The OX gearbox is reliably protected against vibrations without rigid connection to the mixing trough. It also features an elastic compensating coupling to synchronize the shafts.

Features

- 1** Designed with the worldwide-patented BHS transmission safety technology
- 2** BHS smart sealing system
- 3** Trough cover – included
- 4** Maintenance step for ergonomic work
- 5** Automatic central lubrication – included

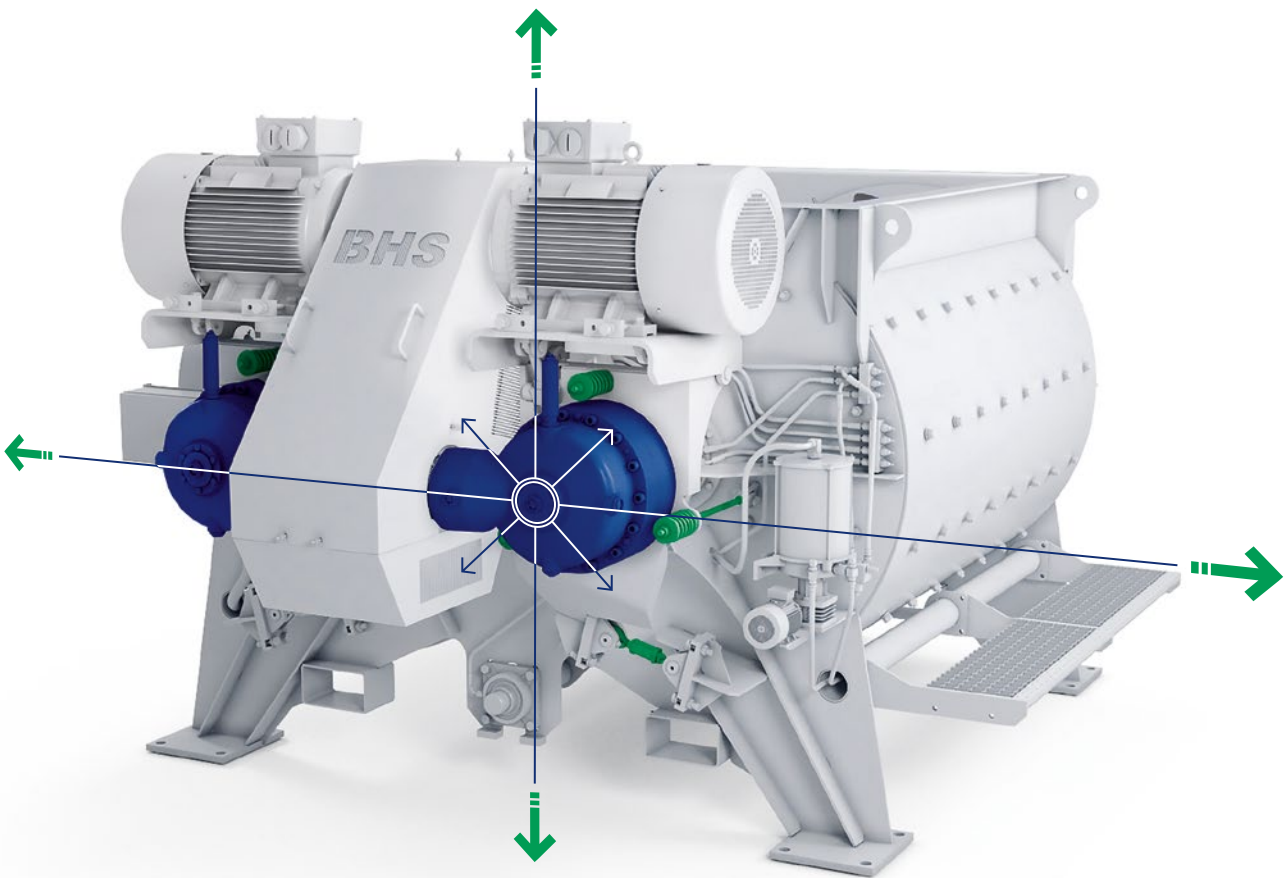
[Further information](#)

www.bhs-sonthofen.com/ox

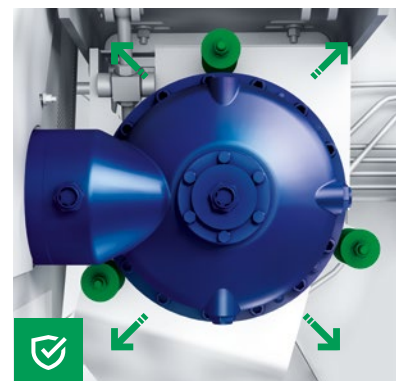
DESIGNED WITH WORLDWIDE-PATENTED BHS TRANSMISSION SAFETY TECHNOLOGY

Shock resistant – For exceptional performance and durability.

Remarkable reliability – The OX offers long-term durability that conventional mixers often lack, by providing the BHS worldwide-patented transmission safety technology.



Shock resistant! BHS has set a new benchmark by using globally patented transmission safety technology, without rigid connection of the gearbox to the mixing trough and mounted on adjustable torque supports. The two mixing shafts are synchronized with an elastic coupling installed between the gearbox. This effectively prevents the transmission of constraining forces from the mixing shafts into the gear unit. For a significantly increased service life of the gear unit.



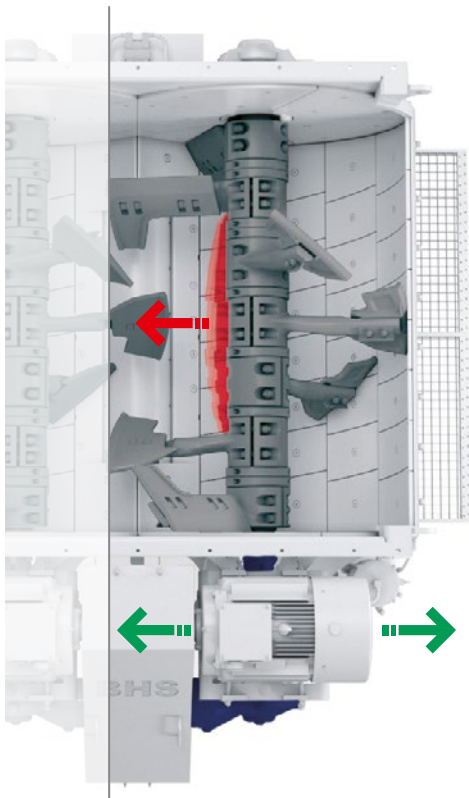
BHS ADJUSTABLE TORQUE SUPPORT – LONGER SERVICE LIFE COMPARED TO CONVENTIONAL MIXERS



BHS transmission safety technology

OX – adjustable torque support

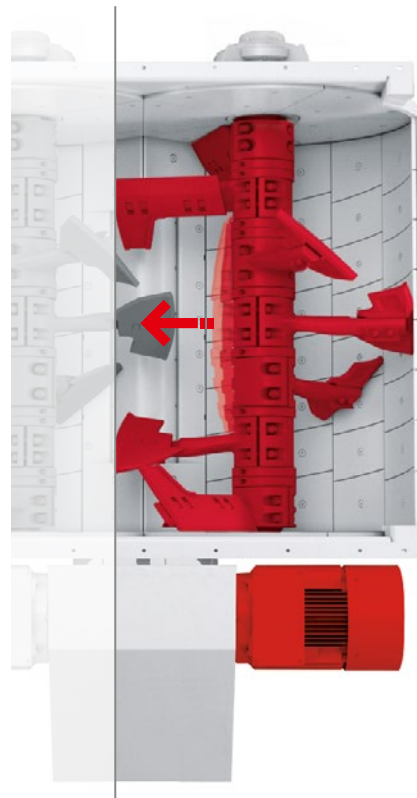
- adjustable for the alignment of the gearboxes
- avoiding unnecessary constraining forces
- longer life time of the gearboxes



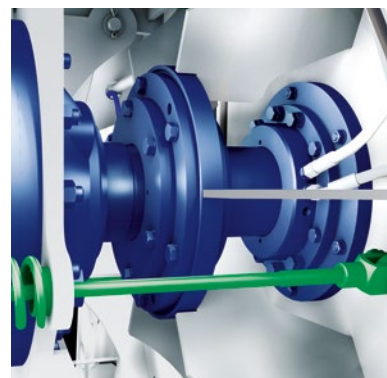
Conventional mixers

Rigid connection of gearbox to mixing trough

- alignment of the gearboxes is not feasible
- constraining forces are directly transferred into gearboxes
- reduced/shorter life time of the gearboxes



BHS invented and proven smart sealing system, still running when others give up. Runs without interruptions. Thanks to physically distancing the shaft bearings and housing seals, damage to the shaft and shaft bearings is prevented, if cement paste penetrates the housing seal. Even if the seal becomes damaged, the mixer is able to continue operating without interruption until the next regular maintenance interval. It keeps running when other machines have long since given up.

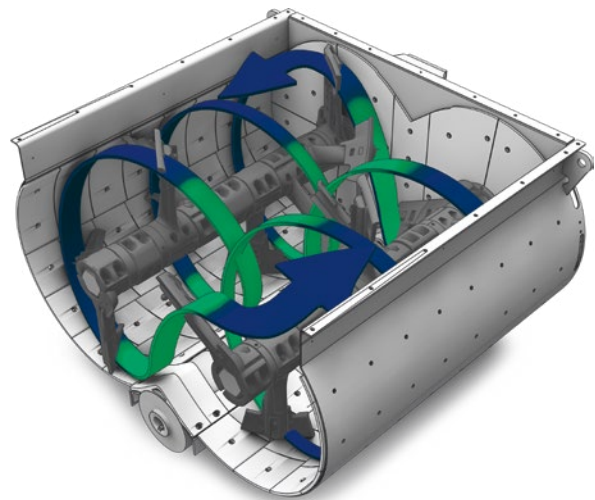
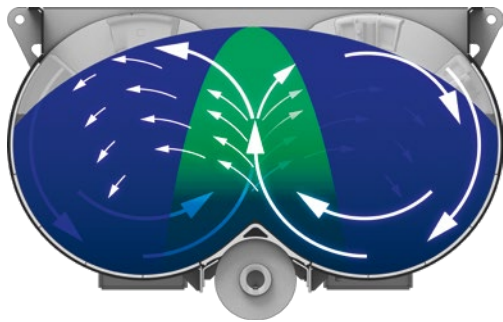


MIXING TOOLS DESIGNED TO THEIR BEST

High-intensity three-dimensional material transport and exchange.

OX – original BHS mixing tools ensure unique efficiency in material exchange. The OX ensures a more intensive material exchange in the turbulent overlapping zone of the two mixing shafts – in shortest time. That is achieved through a significantly higher material movement per rotation and an ideal geometry for optimum flow behavior of the mixing materials.

The effective projected blade size counts. The effective projected area of the blades is an essential factor for material transport in the mixer. The setting angle of the OX mixing blades is perfectly tailored to the material’s movement. Ensuring optimum mixing quality at minimal homogenization times – Intelligent engineering for efficient and cost-effective mixing.



Advantages

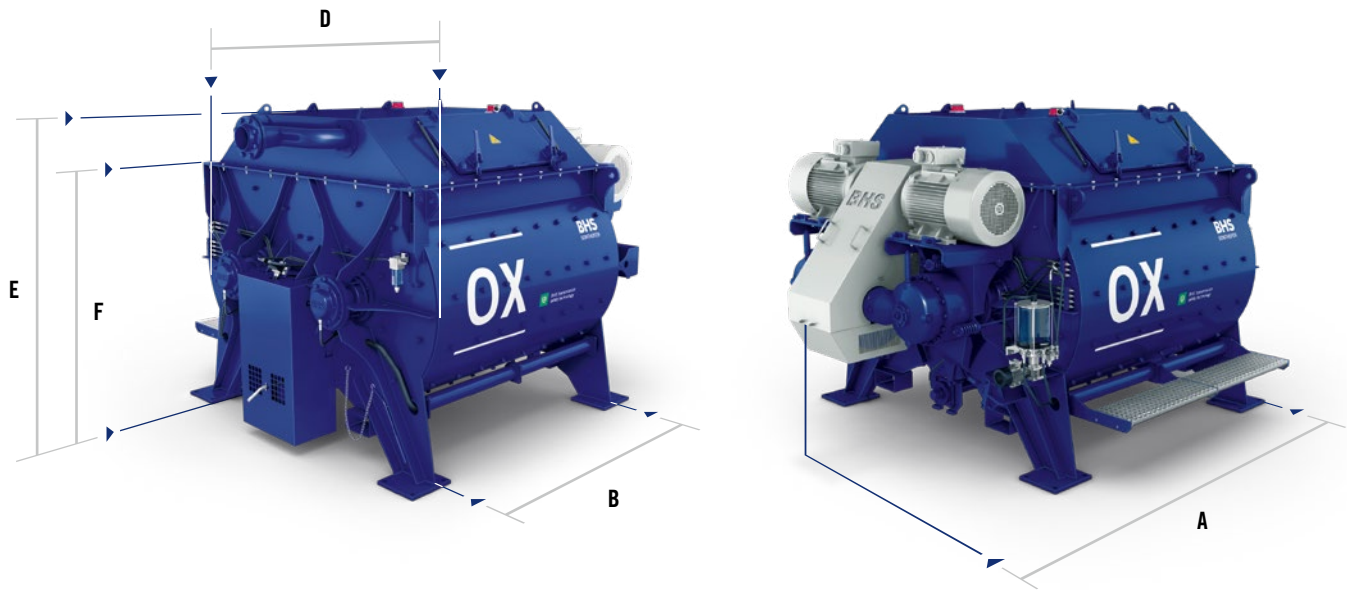
- ✓ Highly efficient
- ✓ Significantly higher material movement per rotation
- ✓ Optimum agitation of materials
- ✓ Fast and homogenous mixing
- ✓ High-intensity material exchange

Effective projected blade size:

| | BHS OX mixing mechanism | Conventional mixing mechanism |
|--|-------------------------|-------------------------------|
| Alignment and angle of the blades | | |
| Size of the effective projection surface | | |
| Mixing effect | ✓ ✓ ✓ | ⊖ ⊖ ⊖ |
| Material transport | ✓ ✓ ✓ | ⊖ ⊖ |
| Turbulence | ✓ ✓ ✓ | ⊖ ⊖ ⊖ |

OX – MAXIMIZED EFFICIENCY IN A MINIMUM OF SPACE

The OX series. Unmatched performance in three sizes.



Dimensions and weights (standard designs)

| Type | A | B | D | E | F | Weight |
|--------|----------|----------|----------|----------|----------|----------|
| OX 1.0 | 3,330 mm | 2,030 mm | 1,610 mm | 1,890 mm | 1,370 mm | 3,900 kg |
| OX 2.0 | 3,060 mm | 1,830 mm | 2,280 mm | 2,070 mm | 1,660 mm | 5,600 kg |
| OX 3.0 | 3,750 mm | 2,430 mm | 2,280 mm | 2,070 mm | 1,660 mm | 6,900 kg |

Performance data (standard designs)

| Type | Dry charge | Compacted concrete output per batch | Maximum compacted concrete output | | | | Standard drive |
|--------|--------------------|-------------------------------------|-------------------------------------|-----------------------|------------------------------------|-----------------------|----------------|
| | | | Truck mixer discharge ¹⁾ | | Open truck discharge ²⁾ | | |
| OX 1.0 | 1.5 m ³ | 1.0 m ³ | 58 cycles/h | 58 m ³ /h | 60 cycles/h | 60 m ³ /h | 2x22 kW |
| OX 2.0 | 3.0 m ³ | 2.0 m ³ | 49 cycles/h | 98 m ³ /h | 53 cycles/h | 106 m ³ /h | 2x37 kW |
| OX 3.0 | 4.5 m ³ | 3.0 m ³ | 44 cycles/h | 132 m ³ /h | 53 cycles/h | 159 m ³ /h | 2x55 kW |

¹⁾ 30s mixing time, truck mixer input rate of 0.12 m³/s (0.16 yd³/s) and compactability rate of 1.15

²⁾ 30s mixing time, compactability rate of 1.45

BEST-IN-CLASS PERFORMANCE AND RELIABILITY

Delivers highest productivity. Available from stock.




The twin-shaft batch mixer type OX is
exclusively available in China, India & SEA.



 Further information

 www.bhs-sonthofen.com/bmm-worldwide

BHS-Sonthofen (Tianjin) Machinery Co., Ltd. ▪ Laiyuan Road 3 ▪ Wuqing Development Zone ▪ Tianjin 301700 ▪ CHINA

 www.bhs-sonthofen.cn  +86 22 82126263  info@bhs-sonthofen.cn

BHS-Sonthofen (India) Pvt. Ltd. ▪ 6-3 252/1/7/B, 3rd floor, Prakash Lights Building

Erramanzil/Banjara Hills ▪ Hyderabad 500 034 ▪ INDIA

 www.bhs-sonthofen.com  +91 40 233153-41/-45/-46  +91 93 93183939  info@bhs-sonthofen.in